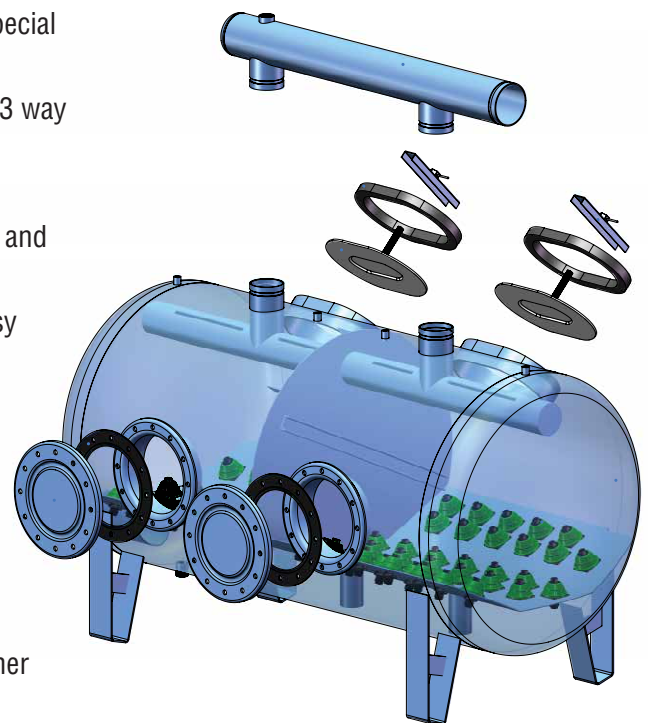


# Dual Chamber Sand Media Filter - DCM

## Product Features

- Suitable for water with high amounts of organic substances: algae, mud and slimy particles of organic mix.
- DCM is recommended for water from rivers, canals, lakes or reservoirs.
- The special spreader nozzles located inside on the horizontal plate, prevent compaction and channeling of media effectively decreasing head loss through the filter.
- The DCM is a dual chamber filter divided in two by a reinforced plate. Its special structure has been designed to reduce footprint and be highly portable.
- The filter is provided with Bermad Plastic Backwash valves with semi-auto 3 way operation.
- DCM can be used with or without gravel pack.
- Tank, manifold, collectors, grommets and gaskets all designed, engineered and manufactured by Irritec.
- Sturdy steel legs designed to accept forklift forks and are pre drilled for easy install.
- Large access ports for ease of maintenance, inspection and sand removal.
- Under drain mushrooms are easily replaced and in stock.
- Concave floor facilitates more efficient back flush. Floor will not crush.
- Comes complete with all pressure gauges, air vent, grooved couplers and nipples on inlet, outlet and back flush exhaust.
- Automation kit available.
- Manifold bracket for easy mount of Irritec DC Back Flush Controller and other popular brand controllers.

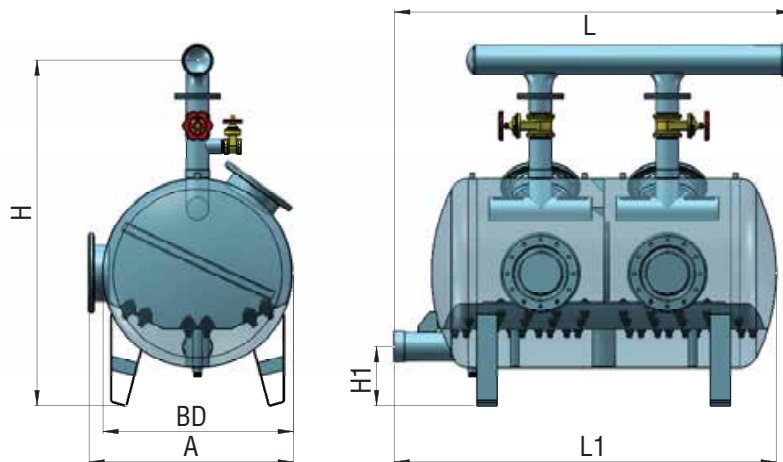
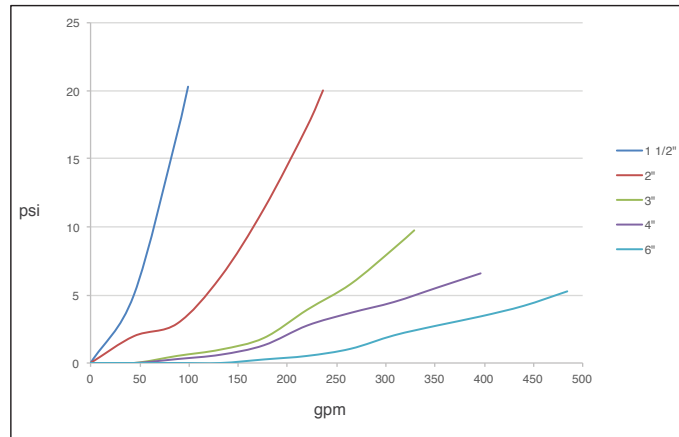
**Irritec USA Inc.**

1420 N. Irritec Way - Fresno, CA 93703

Tel: (559) 275-8825 - Fax: (559) 275-9555 - Toll Free: (877) 298-2075

[www.irritec.com](http://www.irritec.com)*don't wait for rain*<sup>TM</sup>

Part Number	inlet/outlet	Body Diam	surface area inch <sup>2</sup>	ft <sup>2</sup>	US Standards 17gpm/ft <sup>2</sup>	25gpm/ft <sup>2</sup>
M4-DCM1.5	1 1/2" grooved	16"	278	1.93	32.0	50.0
M4-DCM2	2" grooved	20"	587	4.07	69.0	102.0
M4-DCM3	3" grooved	24"	907	6.30	107.0	158.0
M4-DCM4	4" grooved	30"	1302	9.04	154.0	226.0
M4-DCM6	6" grooved	34"	1860	12.92	220.0	325.0



Part Number	L (in)	L1 (in)	A (in)	H (in)	H1 (in)	BD (in)	Tank Weight (lb)	silica lbs.
M4-DCM1.5	32.7	34.6	19.7	19.7	8.7	16	122	132
M4-DCM2	39.4	41.3	22.8	22.8	8	20	166	264
M4-DCM3	49.6	51.2	26.4	26.4	10	24	320	440
M4-DCM4	59	59	32.3	32.3	9.4	30	429	660
M4-DCM6	76.8	80.7	36.6	36.6	9	34	623	1320

## Irritec USA Inc.

1420 N. Irritec Way - Fresno, CA 93703

Tel: (559) 275-8825 - Fax: (559) 275-9555 - Toll Free: (877) 298-2075

www.irritec.com

don't wait for rain™